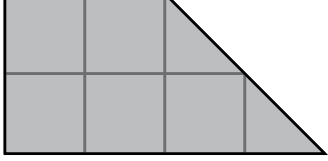
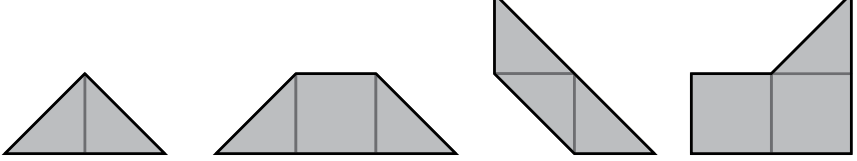
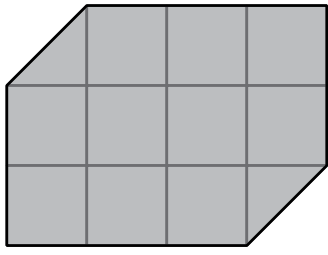
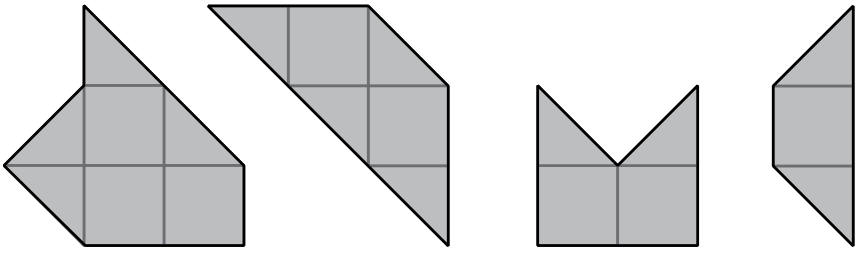


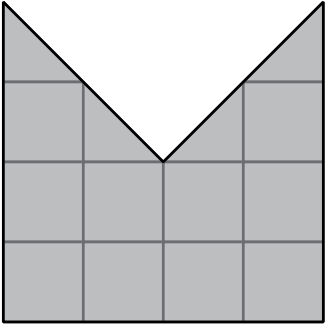
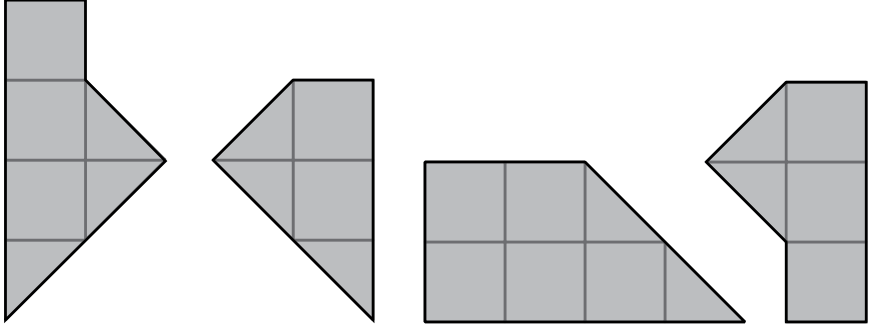
Fragment Puzzles

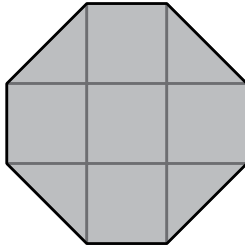
Practice 3D: Chapter 12, page 97

In each fragment puzzle below, a target shape is given on the left. Circle the three pieces on the right that can be arranged to make the target shape.

77.  | 

78.  | 

79.  | 

80.  | 